

# Plumbing / Electrical Protection Plates

# Manufactured Housing Connectors

MH Connectors

Easy-to-install plates protect plumbing and power/communication wiring from nail or screw penetration.

**ICPL58** – Installs with nails

**KNS1 / PL4** – Prongs allow for quick installation

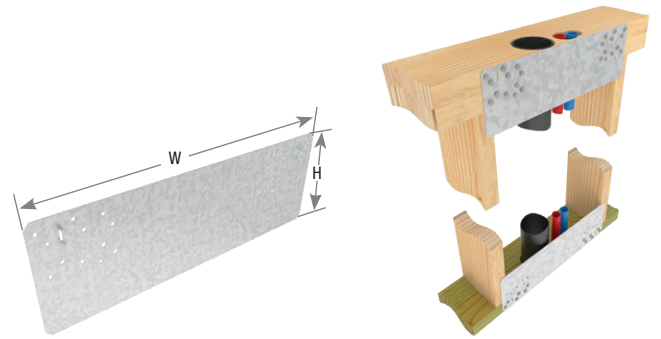
**Materials:** 16 gauge

**Finish:** ICPL516-TZ – G-185 galvanizing; All other – G90 galvanizing.

**Options:** ICPL58 is available in Triple Zinc. To order, add TZ, to stock number, as in ICPL58-TZ.

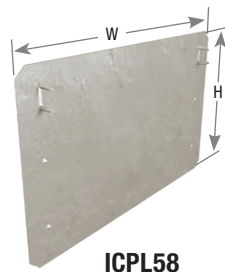
**Installation:**

- Use all specified fasteners.
- 16 gauge steel conforms to protection shield plate requirements of the National Electrical Code and International Plumbing Code.



ICPL516-TZ

Typical ICPL516-TZ installation



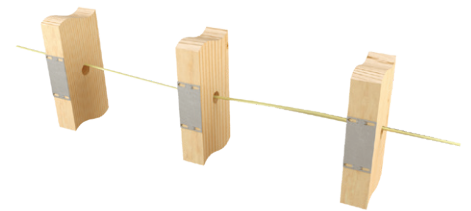
ICPL58



Typical ICPL58 installation



KNS1



Typical KNS1 / PL4 installation



PL4



Typical PL4 installation

MiTek USP Stock No.	Ref. No.	Steel Gauge	Dimensions (in)		Installation Type	Fastener Schedule <sup>2</sup>		DF/SP Allowable Loads (Lbs.) <sup>1</sup>	S-P-F Allowable Loads (Lbs.) <sup>1</sup>	Code Ref.
			W	H		Qty	Type			
ICPL58	--	16	8-1/16	5	--	4	8d or prongs	--	--	PC
PL4	NS2	16	2	5	--	--	prongs	--	--	
KNS1	NS1	16	1-1/2	3	--	--	prongs	--	--	
ICPL516-TZ	PSPN516Z	16	16-1/4	5	Sill Plate	12	16d HDG + prongs	1355	1160	
					Double Top Plate	16	16d HDG + prongs	1805	1550	

1) Allowable loads have been increased 60% for wind or seismic loads; no further increase shall be permitted.

2) **NAILS:** 8d nails are 0.131" dia. x 2-1/2" long, 16d nails are 0.162" dia. x 3-1/2" long.

Copyright © 2020 MiTek Industries, Inc. All Rights Reserved